

# TOOLS FOCUS

## NEW TO RANGE WORKSHOP ESSENTIALS

### APRIL 2025



Designers and manufacturers of  
Automotive Special Service Tools



**AST5200**  
**DIESEL 2.0 TDCI ECOBLUE**  
**(PANTHER) BELT-IN-OIL ENGINE**  
**SETTING / LOCKING KIT - FORD**

Applications: Edge, Focus ('19), Galaxy ('15), Mondeo ('15), Ranger ('12), S-MAX ('15), Tourneo Custom ('12), Transit ('14), Transit Custom ('12)

**Equivalent to OE references:**  
303-1637, 303-1643, 303-1650



**AST6185**  
**VIBRATION DAMPER /CRANKSHAFT**  
**PULLEY REMOVER - FORD 2.0TDCI**  
**ECOBLUE (Panther Diesel)**

Applications: Edge, Focus, Focus Active, Galaxy, Mondeo, S-MAX, Tourneo Custom, Transit, Transit Custom

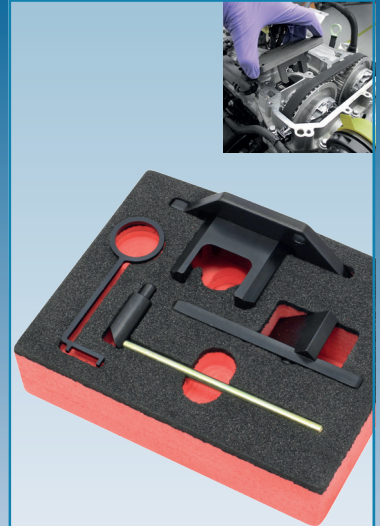
**Equivalent to OE references:**  
204-158-01, 205-295



**AST5298**  
**DIESEL 1.1 TO 2.2 AND PETROL 1.0**  
**TO 2.7 FLYWHEEL LOCKING TOOL -**  
**HYUNDAI - KIA**

Applications: **Hyundai:** Accent, Elantra, Getz, Grand Santa Fe, i10 / i20 / i30 / i40, Santa Fe, Staria, Staria Load/ Van, Tucson, Genesis Coupe, H1/H300, i800/ iLoad/ iMax, ix20/ ix35, Kona, Matrix, Solaris, Sonata/ Sonica, Tiburon, Veloster, **Kia:** Cerato, Optima, Picanto, Sedona / Carnival, Sorento, Soul, Sportage, Carens, Ceed, Magentis, Pro Ceed, Stonic, Venga

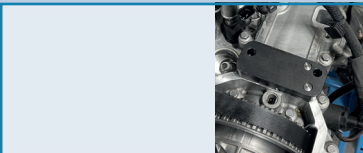
**Equivalent to OE references:**  
09231-2B100, 09231-3N100



**AST5255**  
**PETROL 1.2 GDI PURETECH EB2**  
**BELT-IN-OIL ENGINE SETTING/**  
**LOCKING KIT - CITROËN -**  
**PEUGEOT - DS - OPEL/VAUXHALL**

Applications: **Citroën:** Berlingo IV, C3 Aircross, C3 IV, C4 Cactus, C4 III, C4 Space Tourer/Grand Space Tourer, C5 Aircross, **Peugeot:** 2008, 208, 3008, 308, 5008, 508, Partner IV, Rifter, **Toyota:** Proace, City/Proace City Verso, **Vauxhall/Opel:** Combo-E (X19)(18-), Combo-E Life (X19) (18-), Crossland X (P17)(17-), Grandland X (A18)(17-)

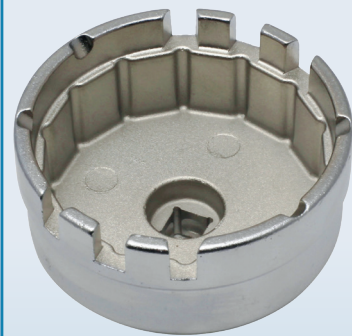
**Equivalent to OE references:** 0109-2B, 0109-2C, 0109-2D, 0109-6, 0197-N, EN-52127-2, EN-52588, EN-52809



**AST5299**  
**EXHAUST CAMSHAFT LOCKING**  
**TOOL - 1.2 GDI PURETECH EB2**  
**- EURO 6.3 / 6.4 - CITROËN -**  
**PEUGEOT - DS - OPEL/VAUXHALL**

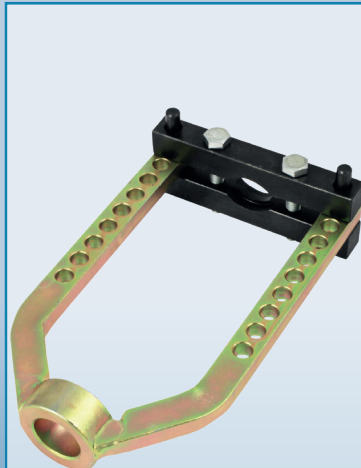
Applications: Citroën: Berlingo IV, C3 Aircross, C3 IV, C4 Cactus, C4 III, C4 Space Tourer/Grand Space Tourer, C5 Aircross, Peugeot: 2008, 208, 3008, 308, 5008, 508, Partner IV, Rifter, Vauxhall/ Opel: Combo-E (X19)(18-), Combo-E Life (X19)(18-), Crossland X (P17)(17-), Grandland X (A18)(17-)

**Equivalent to OE reference:** 0109-2E



**AST5179**  
**OIL FILTER CAP WRENCH - 64.5**  
**I/D X 14 FLUTES - 3/8" SQ. DRIVE -**  
**TOYOTA / LEXUS**

Applications: **Lexus:** CT (10-19), **Lotus:** Elise (07-10), **Toyota:** Auris (07-19), Toyota Avensis (08-19), Toyota Corolla (06-16), Toyota Prius/Prius Plus (-9-19), Toyota RAV 4 (08-13), Toyota Yaris (07-18)



**AST6137**  
**DRIVE SHAFT - CV JOINT**  
**SEPARATION TOOL**

- On-car application
- No need to remove the drive shaft from the transmission
- Suitable for most cars



**AST6255A**  
**9 PCS OIL DRAIN PLUG REMOVAL /**  
**INSTALLATION TOOL SET - BMW -**  
**FORD - MERCEDES-BENZ - OPEL/**  
**VAUXHALL - PSA - VAG**



[www.asttools.co.uk](http://www.asttools.co.uk)



+44 (0)1527 522550



[sales@asttools.co.uk](mailto:sales@asttools.co.uk)